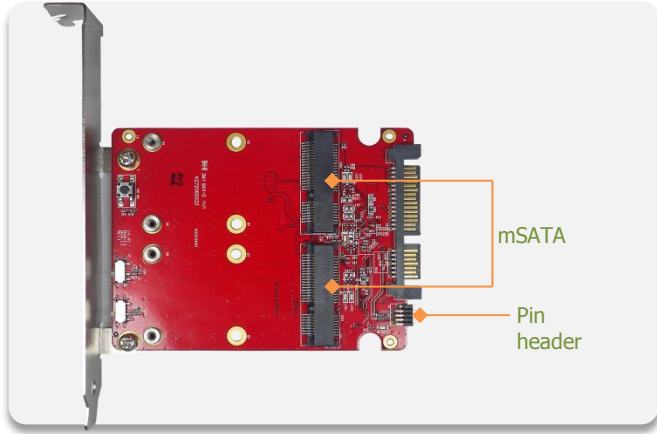


ESSS-32R1

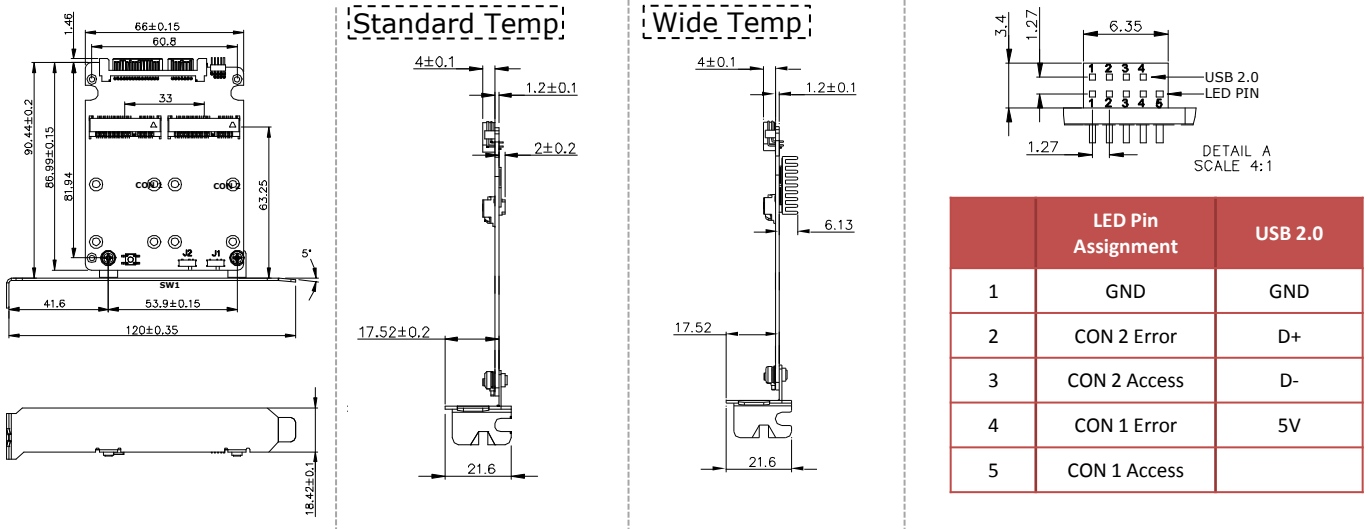
PCIe to Dual SATA III RAID Module



Features

- Supports SATA to dual SATA III Port Multiplier.
- Supports H/W RAID 0/1 over SATA.
- Supports USB 2.0 to dual SATA III.
- Pin header for LED connection.
- Optional Industrial Temperature (-40°C to +85°C) support.
- 3 years warranty.
- Industrial design, manufacture in innodisk Taiwan

Mechanical Drawing



	LED Pin Assignment	USB 2.0
1	GND	GND
2	CON 2 Error	D+
3	CON 2 Access	D-
4	CON 1 Error	5V
5	CON 1 Access	

Specifications

Headquarters (Taiwan)

5F., No. 237, Sec. 1, Datong Rd.,
Xizhi Dist., New Taipei City 221,
Taiwan
Tel: +886-2-77033000
Email: sales@innodisk.com

Branch Offices:

USA

usasales@innodisk.com
+1-510-770-9421

Europe

eusales@innodisk.com
+31-040-282-1818

Japan

jpsales@innodisk.com
+81-3-6667-0161

China

sales_cn@innodisk.com
+86-755-21673689

www.innodisk.com

© 2015 Innodisk Corporation.
All right reserved. Specifications
are subject to change without
prior notice.

November 23, 2015

Form-Factor	PCIe
Input I/F	SATA III, USB 2.0
Output I/F	SATA III
Output Connector	mSATA x 2, Pin Header 9Pin x 1
TDP	2.45W (5V x 498mA)
Dimension (WxLxH)	66 x 90.4 x 7.2mm, Weight: 44.5g
Temperature	Operation: STD: 0°C ~ +70°C WT: -40°C ~ +85°C Storage: -55°C ~ +95°C
Environment	Vibration: 5G @7~2000Hz, Shock: 50G @ 0.5ms
Notes	1. RAID Mode Setting: [J1:J2] RAID0: 2:2, RAID1: 1:2, PM: 1:1 2. Press tact switch SW1 for reset.

Order information

ESSS-32R1-C1 (Standard Temp.)

ESSS-32R1-W1 (Wide Temp.)

PCIe to Dual SATA III RAID Module